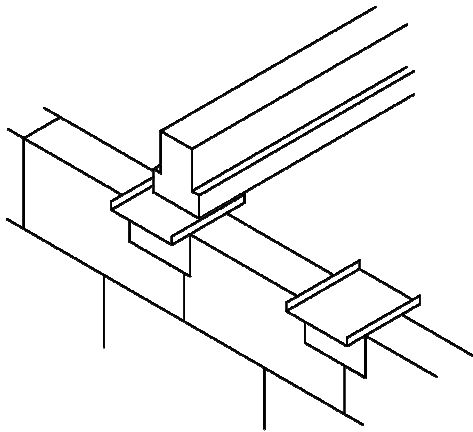
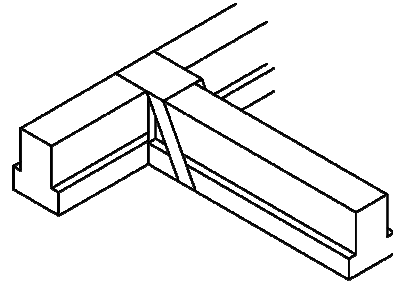


**Beam & Block Detail**

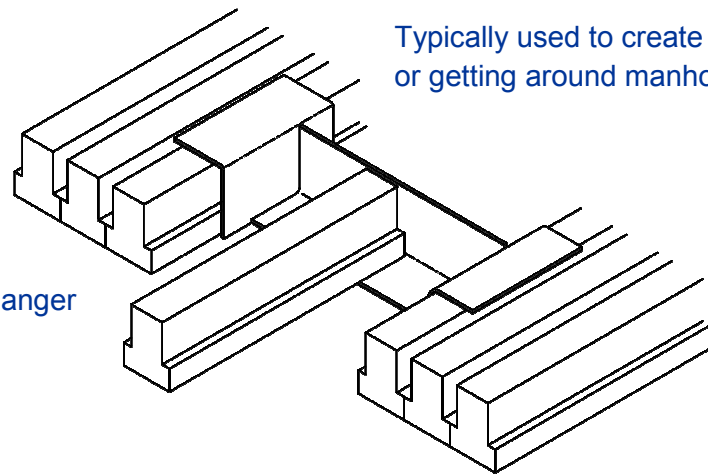
Butt Plate



Used where beams clash on walls less than 215mm wide

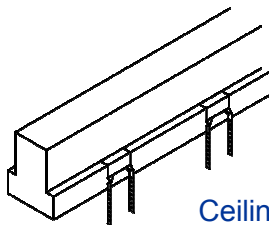


Joist Hanger



Beam Hanger

Typically used to create voids or getting around manholes



Ceiling Clips